

Meter

New now – digital meters

- **Variants:** three different ones.
- **Operation:** and function is the same as before, as with the mechanical meters.
- **Operating hours values:** are displayed non-volatile, 7-digit, digital
- **Enclosure designs:** taxxo 112, taxxo 612 and taxxo 403



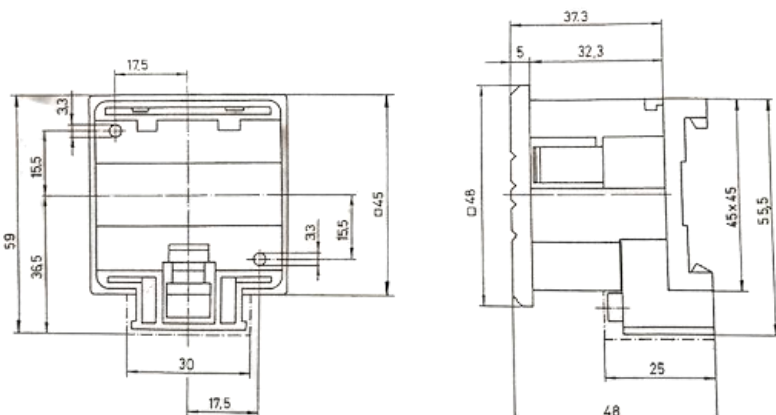
Furhter more we still offer our well known mechanical meters

- **Pin assignment:** can be selected between screw terminals and plug-in contacts.
- **Operation:** not necessary. As soon as the counter is connected, the operating hours are counted and can no longer be reset.
- **Portfolio:** consists of different voltage variants. Additions are possible on request and on the basis of corresponding purchase quantities.
- **Technical Details:** correspond to the previous operating hour meters.
- The only difference is in the dimensions (see below).

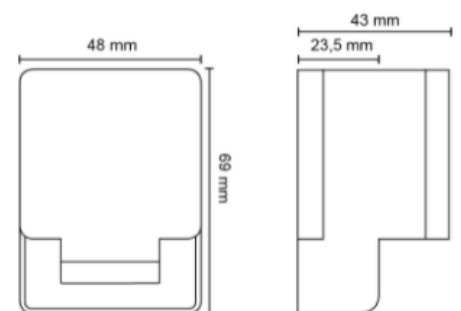
Installation- / Structure-Dimensions

taxxo 100

NEW



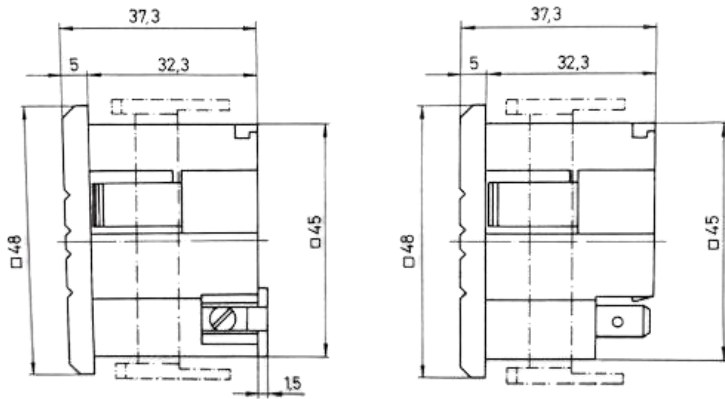
formerly



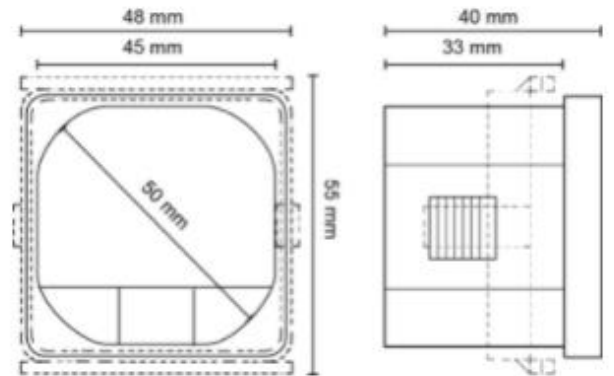
GRÄSSLIN

taxxo 112

NEW

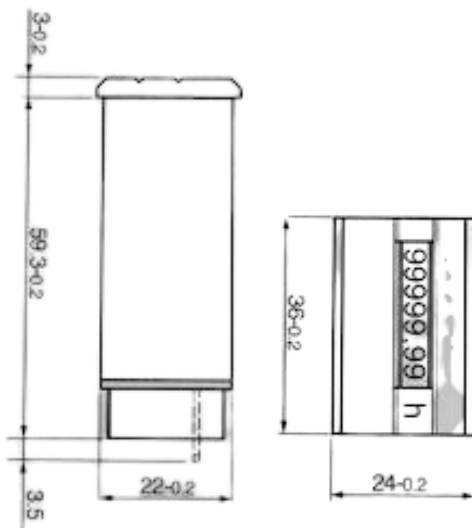


formerly

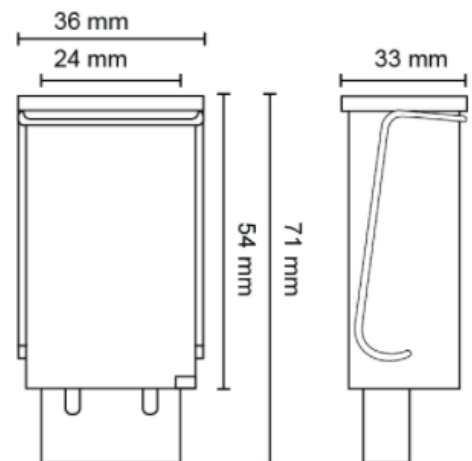


taxxo 612

NEW

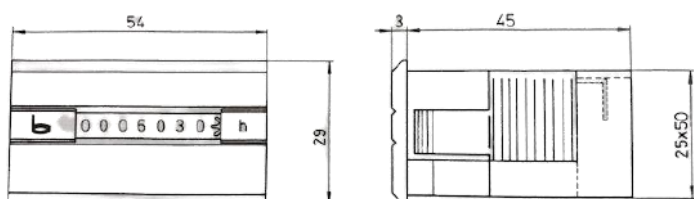


formerly

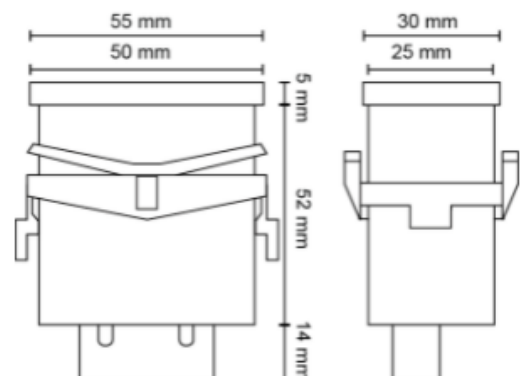


taxxo 712

NEW

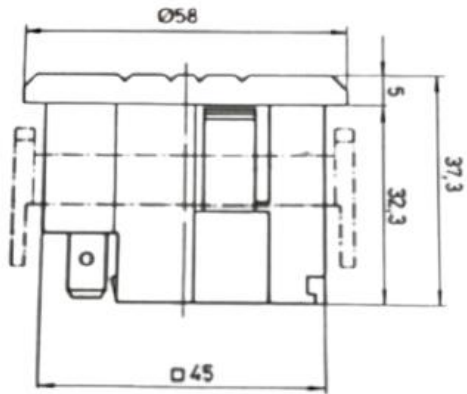


formerly

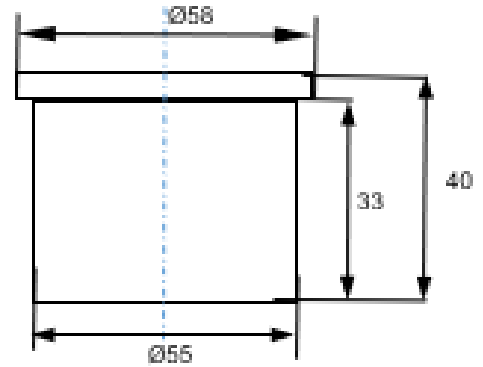


taxxo UWZ52

NEW

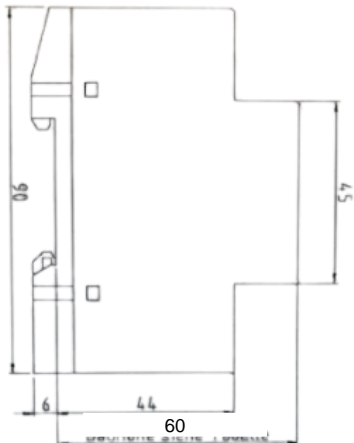


formerly



taxxo 403

NEW



formerly

